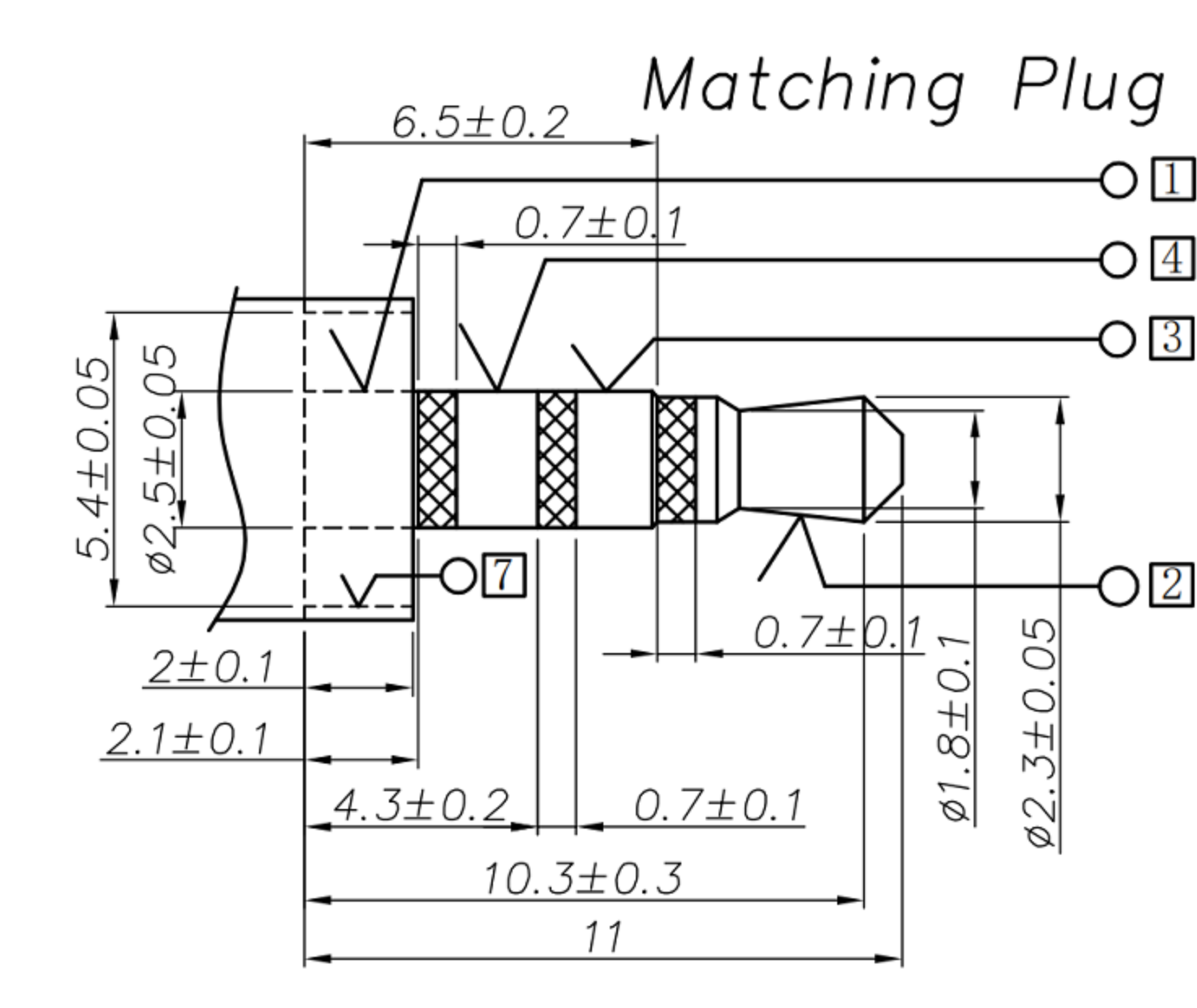
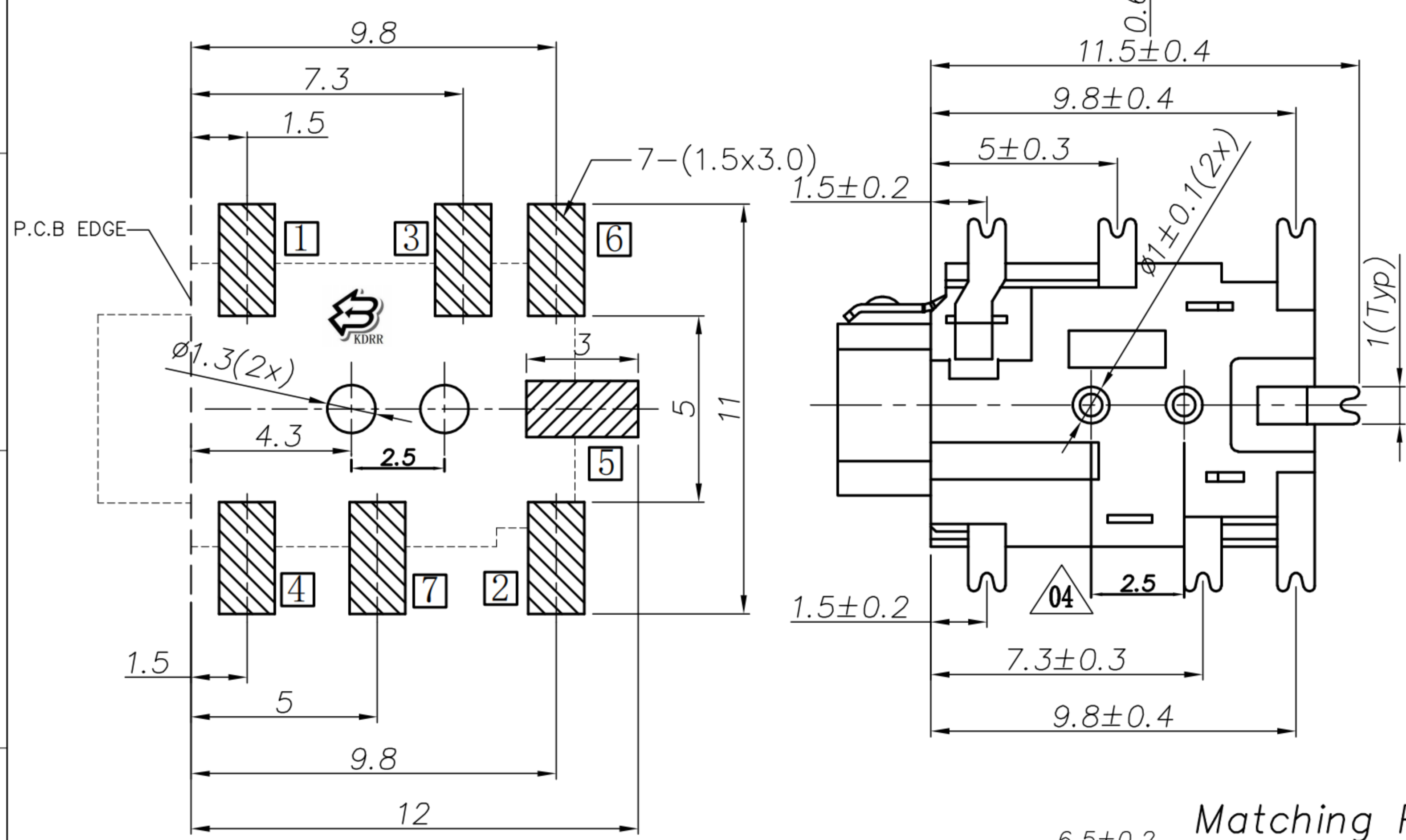
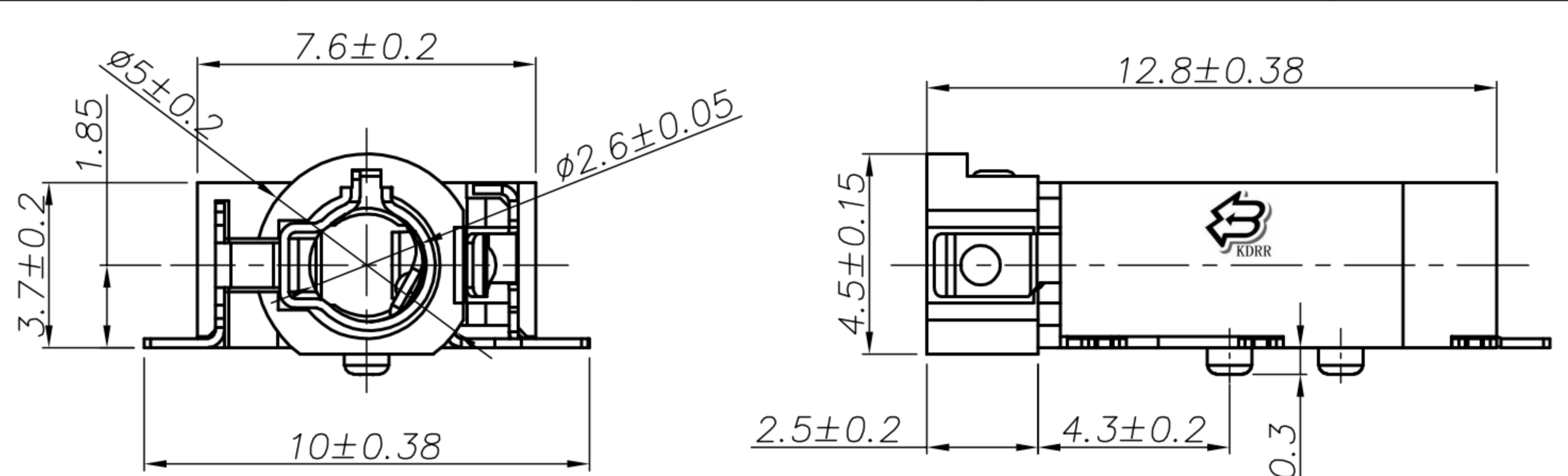
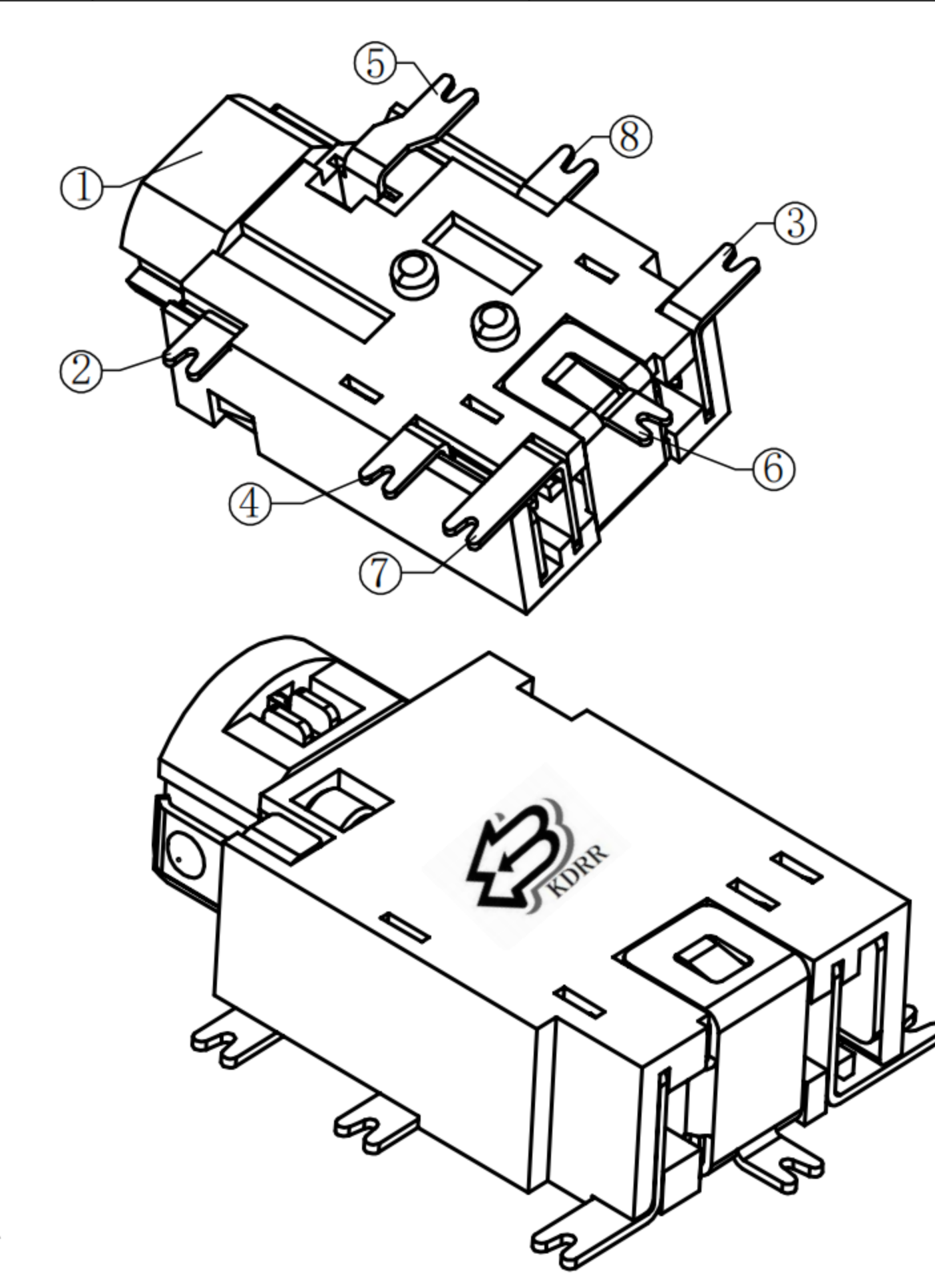




Ordering information:
 GD-PJS-20510
 (1) (2) (3) (4) (5) (6) (7)
 (1):Series No.
 (2):Schematic option:
 U, R, W, K, I, J, M
 (3):Material of housing:
 10=PA10T
 (4):Housing color:
 0A=Black
 (5):Terminal plating:
 G=Gold (Au)
 (6):Special option:
 ON=No special option
 (7):Packing mode:
 4=Bag packing

Specification:
 1.Rating : DC 30V 0.5A;
 2.Contact resistance: $\leq 30m\Omega$;
 After test: $\leq 50m\Omega$
 3. Insulation resistance: $\geq 100M\Omega$ (500VDC);
 After test: $\geq 50M\Omega$
 4. Withstand voltage: 500VAC ;
 5. Insertion and extraction force: 3N~30N;
 6. life test: 5000cycles min;
 7. Operation temperature range: $-20^{\circ}C \sim 70^{\circ}C$;
 8. Preservation temperature range: $-40^{\circ}C \sim 85^{\circ}C$;



Model No.	PJS20510-U (PJS-251)	PJS20510-R (PJS-251-1)	PJS20510-W (PJS-251-2)	PJS20510-K (PJS-251-3)
Schematic code				
Model No.	PJS20510-I	PJS20510-J	PJS20510-M	
Schematic code				

⑧	Earth terminal	⑦	1	Phosphor bronze	0.2t	Gold Plating
⑦	Shunt terminal	⑥	1	Phosphor bronze	0.2t	Gold Plating
⑥	Shunt terminal	⑤	1	Phosphor bronze	0.2t	Gold Plating
⑤	Ring spring	④	1	Phosphor bronze	0.2t	Gold Plating
④	Ring spring	③	1	Phosphor bronze	0.2t	Gold Plating
③	Tip spring	②	1	Phosphor bronze	0.2t	Gold Plating
②	Earth spring	①	1	Phosphor bronze	0.2t	Gold Plating
①	Housing		1	High temperature plastic		Black
NO.	DESCRIPTION	QTY		MATERIAL		REMARK

东莞市高迪电子有限公司
 Dong Guan KDRR Electronic Switch Jack Co., Ltd.

TOLERANCE UNLESS OTHERWISE STATED:
 Up to 5 ±0.2
 Above 5 ~ 15 ±0.3
 Above 15 ~ 30 ±0.4
 Above 30 ~ 50 ±0.5
 Angle ±0.3°

3RD. ANGEL'S

UNITS MM

DRAWN BY:	DATE	MAT'L	TITLE	JACK
Ming Ming Zou	6/8/23			
CHECKED BY:	DATE	FINISH	MODLE	PHONE JACK
Ning Ning Su	6/8/23			
APPROVED BY:	DATE	SCALE	DWG NO.	GD-PJS-20510
Jia Xiang	6/8/23	1:1		
SHEET NO.	1 of 1	PART NO.		
				SIZE A4
				VER R5

5	新增PLUG標號	Jack	052819
4	更新圖面	Jack	052419
3	新增3d上方圖	Jack	101918
2	更新圖面	Jack	092818
1	新增尺寸	Jack	070717
ITEM NO.	DESCRIPTION	DRAWN	DATE